

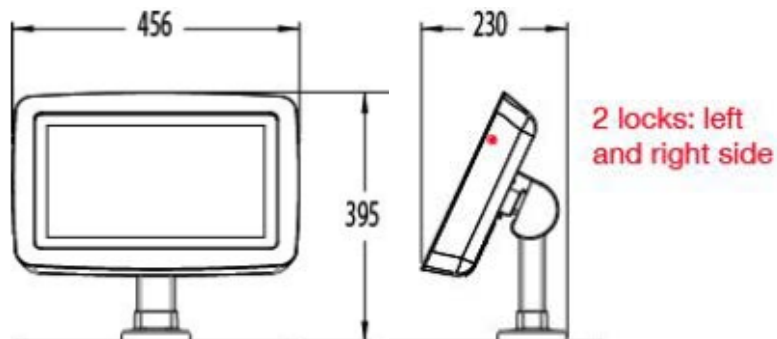
DATA SHEET

Model N° DTST15.6-0719



Desktop

Desktop Dimension and Weight	
Height	395mm
Depth	230mm
Width	456mm
Weight	5.6kg (without screen)
Security	
PC enclosure	2 locks (left and right side)
Finish	
White	Powder coated steel construction



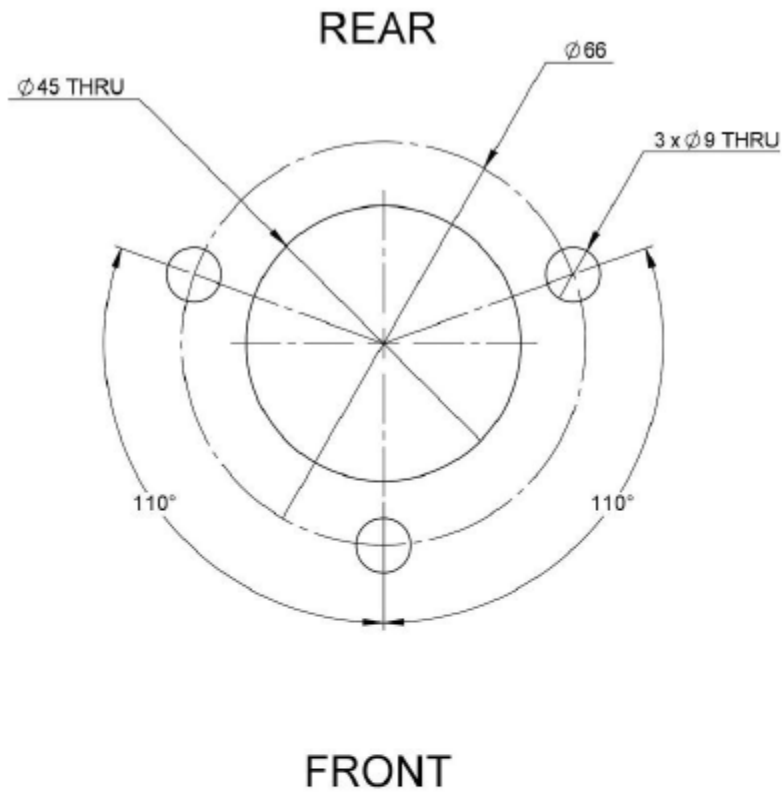
15.6 inch Panel PC

Processor	BayTrail J1900 Quad Core
RAM	DDR3 SODIMM 4 GB
SSD	2.5" 128GB (2 slots)
LCD	15.6" (1366 x 768) (WIDE), LED back-lighting Touchscreen Flat, zero bezel multi-touch screen – with projected, capacitive panel (PCAP)
Brightness	250 cd/m ²
Serial	4 serial ports (+ 5/12 V power supply for COM3 / COM4)
USB	5 USB 2.0 ports + 1 USB 3.0 port (for the J1900 version) 4 USB 2.0 + 2 USB 3.0 (for the i5 and i3 version)
LAN	10/100/1000Base-T 2nd Screen Port with support for HDMI, DVI and VGA (mini Display Port)
Audio	Internal loudspeaker, headphones, micro jack plug
Power Supply	+ external 19 V DC
Mini-PCI Express	1 Mini PCI Express slot (WIFI)
EMI	CE/FCC Class A
Safety	LVD, external adaptor UL c/us, CE, TUV, etc.
Operating Temperature	0 ~ 50 °C
Front	Dust- and splash-proof IP 65
Colours	Black Materials Polycarbonate (cover) + aluminium (structure)
VESA	75 x 75
Dimensions (W x D x H)	402.2 x 46 x 251.5 mm
Weight	5 kg
OS	Windows 10 IoT Enterprise, Windows Pro
WIFI / Bluetooth	WIFI 802.11 a/b/g/n + BT 4.0

DATA SHEET

Model N° DTST15.6-0719

How to Mount an Iso Pillar Mount



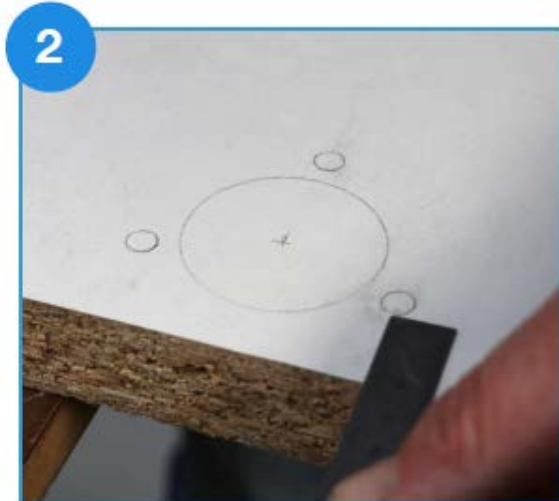
EXAMPLE APPLICATION



1:1 VIEW

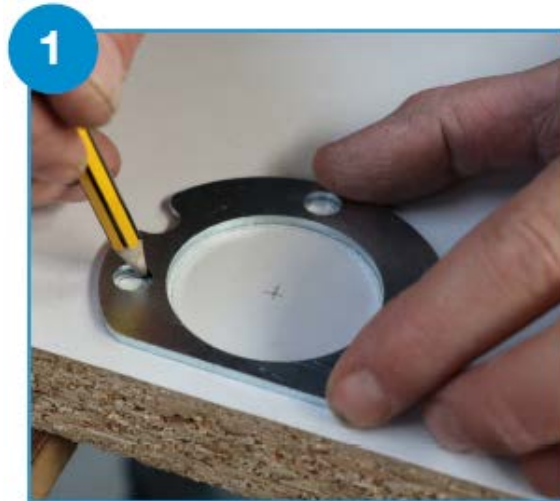
DATA SHEET

Model N° DTST15.6-0719



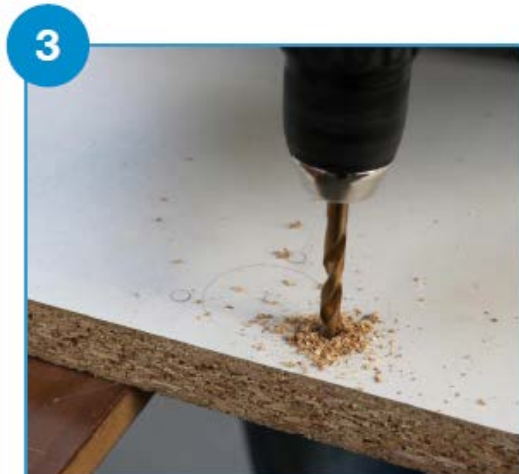
2

Measure from the edge of the counter to the smaller holes, to ensure the spacing is where desired.



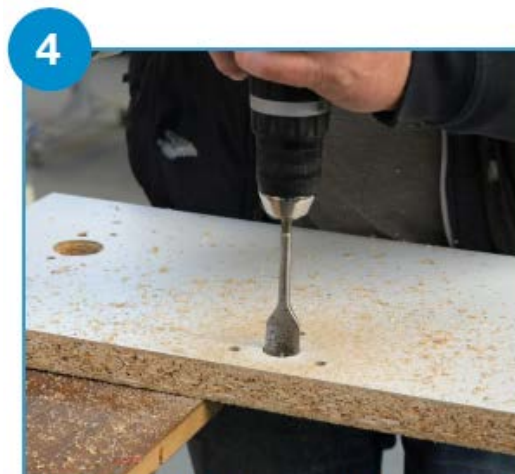
1

With a pencil, stencil in the 3 smaller holes and the inner larger circle.



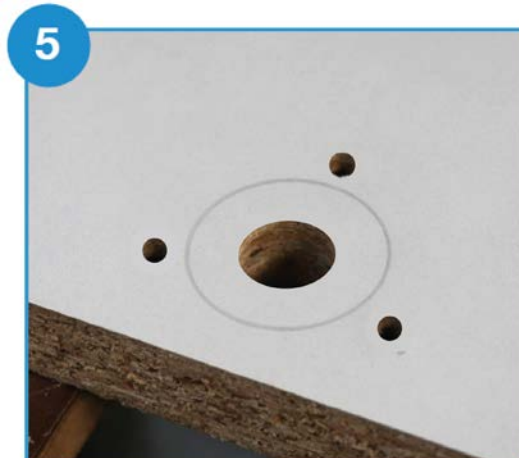
3

Drill through the three small holes, making sure to go completely through the counter.



4

With a 25mm drill, drill a larger hole through the middle, where the larger circle is stenciled. This can be as small or large as needed, allowing for space for cable management.



5

The holes should look like this.



6

Screw the three 8mm Studs into the bottom of the Iso Pillar Mount.

DATA SHEET

Model N° DTST15.6-0719

7



Slide the studs into the holes in the counter. If too tight, use the drill to widen the holes slightly.

8



Slide the provided plate through the 8mm studs and hold in place on the underside of the counter.

9



Screw a 8mm nut onto each of the studs.

10



Tighten fully with a 13mm spanner.

11



The Iso Pillar Mount is now secure. Reverse steps to remove.

DATA SHEET

Model N° DTST15.6-0719

Setting an Angle on the Iso Pillar Mount

1



Ensure the starting position of the Iso Mount is neutral.

2



To set it at a 90° angle, screw in x2 Set Angle Pegs with x2 M3x6 Caphead Screws, using a 3mm Allen Key into the Iso Mount where '90' is written.

3



Both Set Angle Pegs are now screwed into the Iso Mount within the 90° section. To change the angle, repeat the process, moving the Set Angle Pegs to a different angle. Different angles can be set for each side. For example, 90° left, 180° right.

4



Now, when rotated, the Iso Mount will lock when it hits your preferred degree. The Iso Mount cannot swivel any further round.

5



You can store the Set Angle Pegs within the blank gaps in the Iso Mount. You can keep them here if you could like the Iso Mount to rotate 360° too.

6



Secure the Set Angle Pegs by screwing in x2 M3x6 Caphead Screws into the Set Angle Pegs and into the Iso Mount.

DATA SHEET

Model N° DTST15.6-0719

Power supply

Follow the guidelines to avoid fire, electrical shock, or other damage.

■ Power Cord

Use only the authorised power source (220—240V AC) for the machine.

Use only the power cord included with the machine.

Do not handle the power cord or plug if your hands are wet.

Do not overload the electrical outlet with too many appliances or plug the power cord into a damaged electrical outlet.

Do not cut, damage, alter or place heavy objects on the power cord.

Do not use the power cord if it is damaged.

Ensure the power cord is correctly inserted onto the electrical outlet.

Do not pull the power cord when removing the power plug from the electrical outlet. Doing so could cause an electric shock or fire.

Do not bend, break or damage the cord in any way, as this may result in an electrical shock, fire or a machine malfunction.

Regularly remove the power plug from the electrical outlet, and clean the base of the pins and between the pins. If you leave the power plug in the electrical outlet for an extended period of time, dust will accumulate at the base of the power plug pins. This could cause a short circuit that may result in a fire.

Keys:

Lost or Broken Key? If you've lost or broken your key, you can order a new set of key's by emailing support@nmcltd.co.uk
Please reference the number on the key when ordering.

Cleaning & Maintenance

Top Tip's for Keeping Your Desktop product Brand Spanking New!

Dust with a clean, damp cloth or chamois, wiping gently. A damp cloth cuts down on friction, helping reduce static electricity, which holds the dust

For the screen - To clean the screen on the tablet, use a soft, lint-free cloth.

TIP We suggest microfiber cloths. Never use a paper towel or other paper-based towels as they can leave scratches on the screen.

5 year Warranty

Applies to all hardware (kiosk, mounting systems, computer, and printer)

Back to base warranty for all components (customer pays postage to return goods, Nash Management Consultancy pays postage of repaired/replacement parts). Warranty does not include damage sustained through misuse, abuse or accidental damage.

This warranty does not affect your statutory rights.